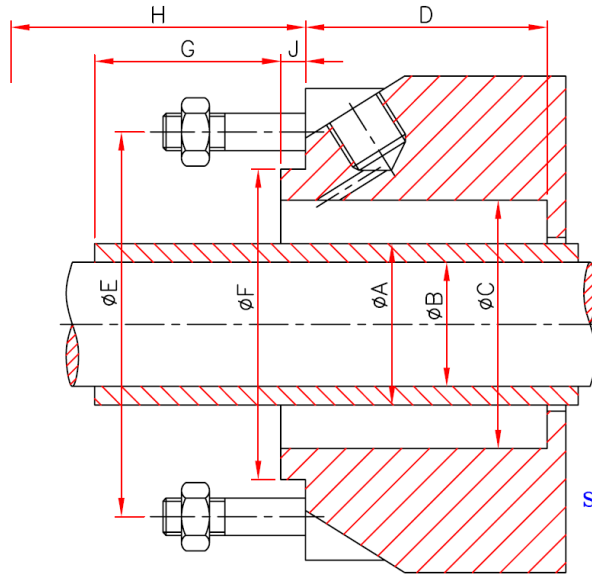




## INFORMATION DATA SHEET



- A. Sleeve O.D. ....
- B. Shaft O.D. ....
- C. Stuffing Box Bore ....
- D. Depth Of St. Box ....
- E. Bolt Circle ....
- No. Of Bolts .....
- Size Of Bolts .....
- F. Collar Dia. ....
- G. Sleeve Extension .....
- H. Nearest Obstruction .....
- J. Raised Collar .....

Stuffing Box Cover (Jacketed/Non Jacketed)

CLIENT \_\_\_\_\_

ADDRESS \_\_\_\_\_

### PUMP DATA

MAKE \_\_\_\_\_ TYPE \_\_\_\_\_

MODEL \_\_\_\_\_ ITEM/TAG NO: \_\_\_\_\_

CONSTR. MATL. \_\_\_\_\_ EXISTING SEAL \_\_\_\_\_

### OPERATING PARAMETERS

TOTAL HEAD \_\_\_\_\_ SUC. PR. \_\_\_\_\_ DIS. PR. \_\_\_\_\_

SPEED \_\_\_\_\_ DIRECTION OF ROTATION (VIEW FROM DRIVE END) \_\_\_\_\_ CW/ACW \_\_\_\_\_

### FLUID DETAILS

FLUID \_\_\_\_\_

PUMPING TEMP (PT) \_\_\_\_\_ MAX. TEMP. \_\_\_\_\_

SP. GR. AT PT \_\_\_\_\_ VISC. AT PT \_\_\_\_\_

BOILING POINT \_\_\_\_\_ FREEZING POINT \_\_\_\_\_

FLUID DESCRIPTION \_\_\_\_\_ CLEAN  DIRTY  ABRASIVE  SLURRY  TOXIC

PERCENTAGE OF SOLIDS \_\_\_\_\_ GRAIN SIZE \_\_\_\_\_

OTHER REMARKS \_\_\_\_\_